

MATH COURSE I

Perimeter Cont.

March 5, 2013

Mrs. Culverwell

WHAT WAS PERIMETER?

Let's make an example.

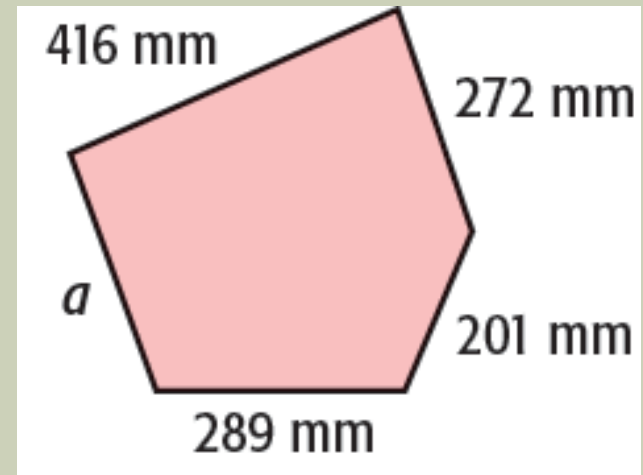
MISSING VALUES

What is the length of side a if the perimeter equals 1,471 mm?

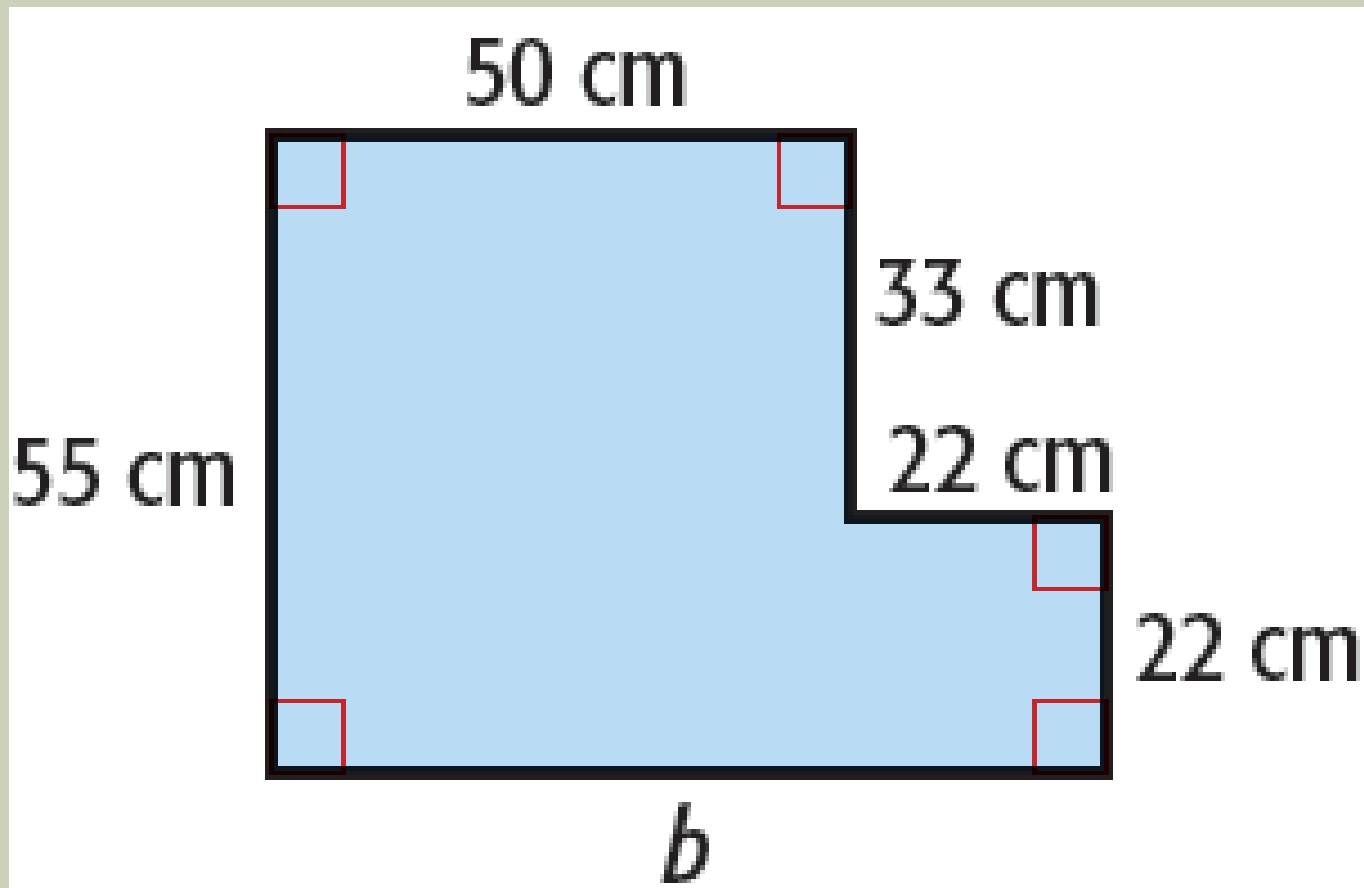
$$1,471 = 416 + 272 + 201 + 289 + a$$

$$1,471 = 1,178 + a$$
$$-1,178 \quad -1,178$$

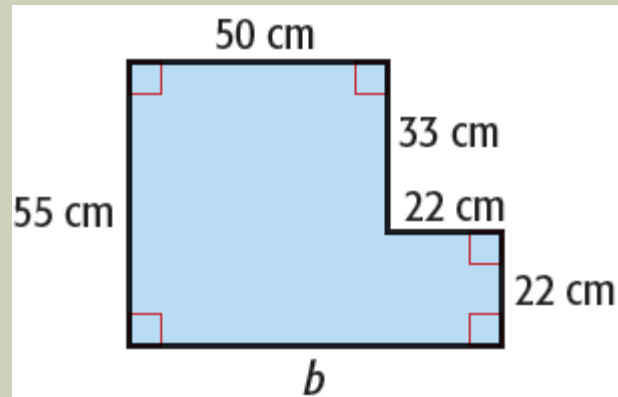
$$293 \text{ mm} = a$$



FIND THE PERIMETER



ANSWER



Step 1

$$50 + 22 = b$$

$$b = 72 \text{ cm}$$

Step 2

$$72 + 55 + 50 + 33 + 22 + 22 = P$$

$$P = 254 \text{ cm}$$

WORD PROBLEMS

1. What is the perimeter of a rectangle with a length of 28 cm and width of 10 cm?

2. Find the perimeter.

